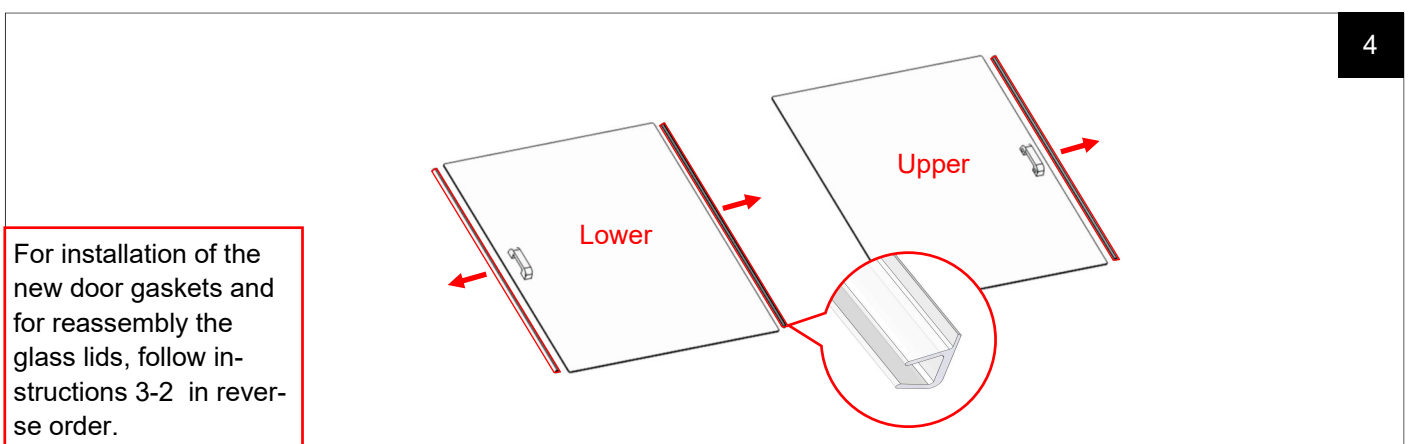
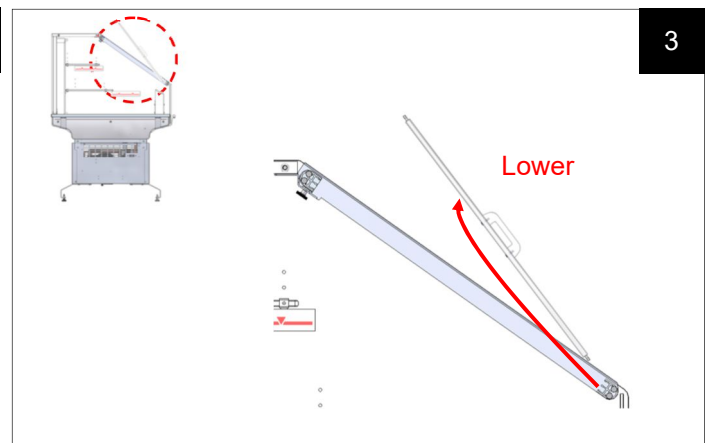
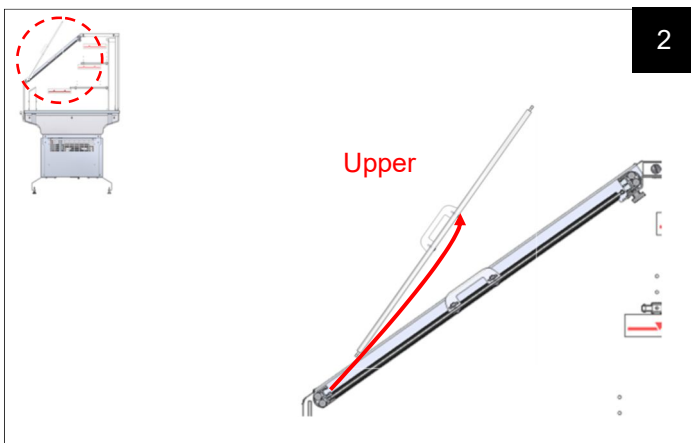
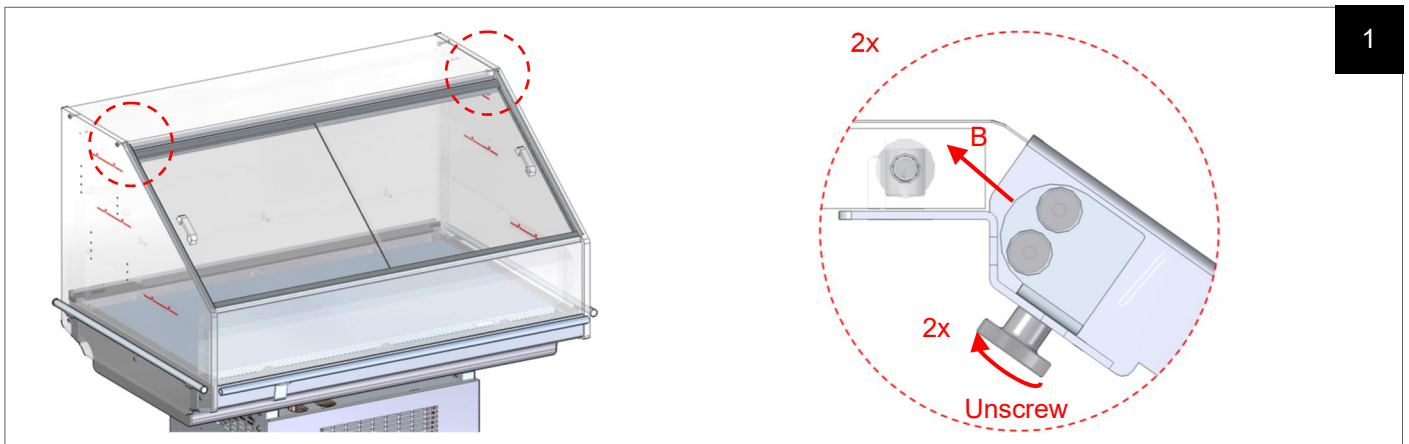
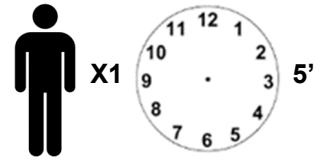


Replacement door gaskets - Ersatz von Dichtungen Sostituzione guarnizioni



For installation of the new door gaskets and for reassembly the glass lids, follow instructions 3-2 in reverse order.